

# AZUD AGL

AZUD AGL is the manual filter series for agricultural water filtration applications. It is resistant to most of the products normally used in agriculture.

The hydraulic design of the filter minimizes the head loss, saving energy and optimizing its performance.

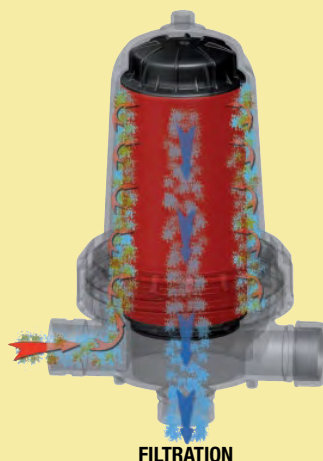


## TECHNOLOGY

During the filtration process, the water flows inside the filtration discs where the particles are retained.

Thanks to its simple and safe structure, the maintenance labours are dramatically reduced. It is unnecessary the use of tools for the maintenance of the filter.

The optimized lock system of the thread makes the filter very resistant to the sharp changes of pressure and temperature, avoiding deformations in the set housing-thread.



## ADVANTAGES

- ✓ **Modularity.**  
Versatility, compatibility and easy maintenance. The system permits a wide range of flow rates and configurations using a minimal number of components.
- ✓ **Maximum quality and safety in filtration.**  
Wide range of filtration grades in discs and screens.
- ✓ **The largest filtration area of its kind.**
- ✓ **Robustness.**  
Base and lid manufactured in high quality thermoplastic.
- ✓ **Easy installation, handling and maintenance.**  
No tools required for maintenance.
- ✓ **Threaded tightening nut.**  
Very resistant to variations of pressure and temperature.
- ✓ **Equipped with pressure gauges intakes.**
- ✓ **3 mouth housing with different connection possibilities.**  
BSP, NPT or grooved connection. The filter can be installed in any position.
- ✓ **Gasket set in the lid.**  
Avoiding loss or wear during maintenance.
- ✓ **The lid incorporates an auxiliary 3/4" thread.**  
It permits the installation of a depressurization valve and emptying of the filter.
- ✓ **Water and energy saving.**

# AZUD AGL

| AZUD AGL<br>130 micron | Maximum flow |     | Filtering surface |     |        |     |
|------------------------|--------------|-----|-------------------|-----|--------|-----|
|                        | m³/h         | gpm | Discs             |     | Screen |     |
|                        |              |     | cm²               | in² | cm²    | in² |
| 2"                     | 30           | 132 | 1050              | 163 | 900    | 140 |
| 2"S                    | 30           | 132 | 1660              | 257 | 1350   | 209 |
| 3"C                    | 50           | 220 | 1050              | 163 | 900    | 140 |
| 3"                     | 50           | 220 | 1660              | 257 | 1350   | 209 |

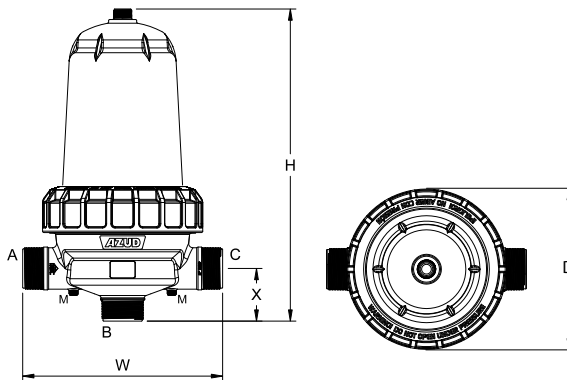
The flow rate given by filter, conditions the frequency of the flushings.

|   |  |   |
|---|--|---|
| <span style="color: green;">■</span> 200 micron.<br>(75 mesh) | <span style="color: red;">■</span> 130 micron.<br>(120 mesh) | <span style="color: yellow;">■</span> 100 micron.<br>(150 mesh) |
|---|--|---|

### MATERIALS AZUD AGL

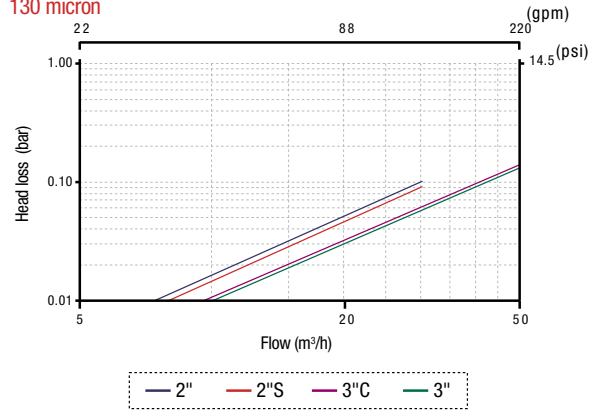
|                   |   |
|-------------------|---|
| Housing           | Polypropylene                                 |
| Filtering element | Polypropylene discs<br>Stainless steel screen |
| Locking threads   | Polyamide reinforced with fiberglass          |
| Sealing element   | NBR   |

2<pH<13 • Maximum pressure 8 bar / 116 psi • Maximum temperature 60 °C / 140 °F



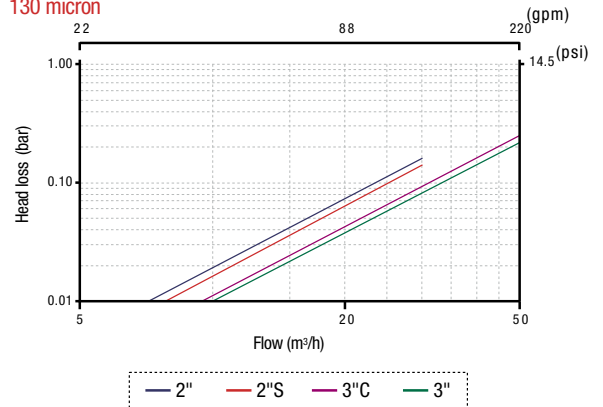
### AZUD AGL SCREEN HEAD LOSS

130 micron



### AZUD AGL DISCS HEAD LOSS

130 micron



| FILTER CONFIGURATION | Diameter | Model      | Connection |         |         | Dimensions |      |     |      | Model | Weight |     |     |      |                     |      |                    |      |
|----------------------|----------|------------|------------|---------|---------|------------|------|-----|------|-------|--------|-----|-----|------|---------------------|------|--------------------|------|
|                      |          |            | A          | B       | C       | H          |      | W   |      |       | X      |     | D   |      | Empty filter Weight |      | Full filter Weight |      |
|                      |          |            |            |         |         | mm         | in   | mm  | in   |       | mm     | in  | mm  | in   | kg                  | lb   | kg                 | lb   |
| 2"                   | 2"       | 2" BSP     | BSP        | BSP     | BSP     | 445        | 17.5 | 285 | 11.2 | 75    | 3.0    | 231 | 9.1 | Disc | 3.6                 | 7.8  | 8.8                | 19.3 |
|                      |          | 2" NPT     | NPT        | NPT     | NPT     |            |      |     |      |       |        |     |     |      | 2.7                 | 5.9  | 7.9                | 17.4 |
|                      |          | 2" GRV90   | GROOVED    | GROOVED | BSP     |            |      |     |      |       |        |     |     |      |                     |      |                    |      |
| 2"S                  | 2"S      | 2" GRV180  | GROOVED    | BSP     | GROOVED | 595        | 23.4 | 285 | 11.2 | 75    | 3.0    | 231 | 9.1 | Disc | 4.8                 | 10.6 | 12.2               | 26.9 |
|                      |          | 2"S BSP    | BSP        | BSP     | BSP     |            |      |     |      |       |        |     |     |      | 3.6                 | 7.8  | 10.9               | 24.1 |
|                      |          | 2"S NPT    | NPT        | NPT     | NPT     |            |      |     |      |       |        |     |     |      |                     |      |                    |      |
| 3"C                  | 3"C      | 3"C GRV90  | GROOVED    | GROOVED | BSP     | 495        | 19.5 | 335 | 13.2 | 110   | 4.3    | 231 | 9.1 | Disc | 4.0                 | 8.8  | 9.2                | 20.3 |
|                      |          | 3"C BSP    | BSP        | BSP     | BSP     |            |      |     |      |       |        |     |     |      | 3.2                 | 6.9  | 8.4                | 18.4 |
|                      |          | 3"C NPT    | NPT        | NPT     | NPT     |            |      |     |      |       |        |     |     |      |                     |      |                    |      |
| 3"                   | 3"       | 3"C GRV180 | GROOVED    | BSP     | GROOVED | 645        | 25.4 | 335 | 13.2 | 110   | 4.3    | 231 | 9.1 | Disc | 5.3                 | 11.7 | 12.6               | 27.7 |
|                      |          | 3" BSP     | BSP        | BSP     | BSP     |            |      |     |      |       |        |     |     |      | 4.0                 | 8.8  | 11.3               | 24.8 |
|                      |          | 3" NPT     | NPT        | NPT     | NPT     |            |      |     |      |       |        |     |     |      |                     |      |                    |      |
|                      |          | 3" GRV90   | GROOVED    | GROOVED | BSP     |            |      |     |      |       |        |     |     |      |                     |      |                    |      |
|                      |          | 3" GRV180  | GROOVED    | BSP     | GROOVED |            |      |     |      |       |        |     |     |      |                     |      |                    |      |

Connection E 3/4" BSP MT • Connection M 1/4" BSP MT

