

AZUD HELIX AUTOMATIC FT SW DLP

SELF-CLEANING DISC FILTERS

Working conditions

Salinity	6000-55000 mg/l
Max. working pressure	10 bar (145 psi)
Min. working pressure	0.8 bar (11.6 psi)
Min. backwash pressure	1.5 bar (22 psi)
Min. backwash flow	2.5 l/s (39 gpm) per filter 2" S y 3" 5 l/s (79 gpm) per filter 4"
Backwash duration	15 - 25 s
pH	4 - 11
Water temperature	≤ 60 °C (140 °F)

Filtration degrees (micron)

400	200	130	100	50	20	10	5
-----	-----	-----	-----	----	----	----	---

DLP Technology
Low Pressure Backflush

DESCRIPTION

Self-cleaning disc AZUD HELIX AUTOMATIC FT SW DLP filter available in Ø2", Ø3" and Ø4".

AZUD patents, developments and manufacturing quality control guarantee an excellent filtration quality by optimizing operational costs of the installation where it is integrated. Thermoplastic materials used in the manufacture offer an extraordinary resistance and lifespan of all the components of the equipment, minimizing the tasks of inspection and maintenance, which are carried out easily and with no tools.

Special applications for high salinity water: Filtration for tanks/lakes/fonts; make-up water filtration; UF membranes protection; media filter prefiltration.



MAIN FEATURES

- > **RELIABLE FILTRATION**, thanks to a double effect of centrifugal separation and in-depth 3D filtration with multiple particle retention points.
- > **EFFICIENT SELF-CLEANING**, with no interruption of clean water supply. The exclusive DLP TECHNOLOGY minimizes the backwash water volume and the energy consumption.
- > **MINIMUM BACKWASH FREQUENCY**, thanks to the patented anti-clogging deflector AZUD HELIX and an increased filtration area per filter element.
- > **PLUG&PLAY AND MODULAR SOLUTION.**

AZUD

HELIX AUTOMATIC FT SW DLP

HOW DO THEY WORK

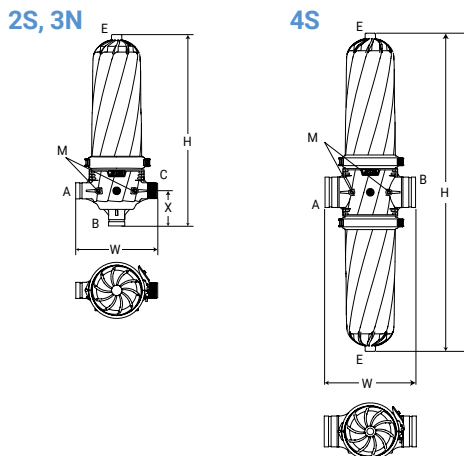
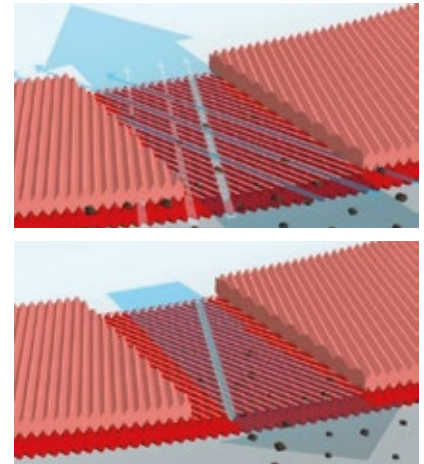
FILTRATION PHASE:

- Water flows from the inlet manifold to the inside of the filter, passing through the anti-clogging deflector AZUD HELIX, which throws the heavy particles away from the disc stack, avoiding the quick clogging of the filter and minimizing the backwash frequency.
- Water flows OUT-IN through the disc stack to the outlet manifold while particles bigger than the filtration degree are trapped in the discs.

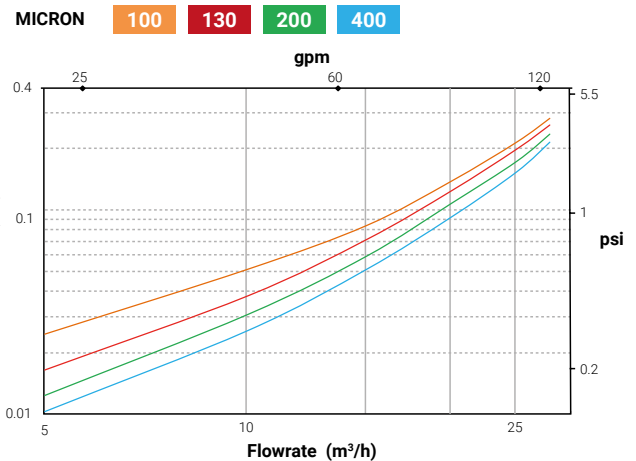
SELF-CLEANING PHASE:

- When automatic backwash is activated, the pressurized water flows IN-OUT, decompressing the disc stack.
- High-speed flushing water flowing through the spray nozzles, creates a tangential cleaning effect the flush out the trapped particles.

▶ Check our YouTube channel for more details



2" SUPER HEAD LOSS*



*The backwash frequency depends on the design flowrate. For hydraulic calculation, consider the set-point value for the self-cleaning cycle (usually 0.5 bar/7.25 psi).

MATERIALS OF CONSTRUCTION

MG Discs	Polypropylene
WS Discs	High density polyethylene
Disc support	Reinforced polypropylene
Base – lid	Reinforced polyamide
Spring	HASTELLOY
Clamp	Stainless steel 316L
Sealing o-rings	Nitrile rubber/high density polyethylene

MODELS

FILTER CONFIGURATION	DIAMETER	MODEL	Q MAX. 130 µm*	FILTRATION AREA	CONNECTION			DIMENSIONS			FILTER WEIGHT	
					A	B	C	H	W	X	EMPTY	FULL
	2" SUPER	2SR		1620 cm ²	BSP	BSP	BSP	720 mm 28.3 in	310 mm 12.2 in	133 mm 5.2 in	8.6 kg 18.9 lb	18.5 kg 40.7 lb
		2SA	26 m ³ /h 114 gpm		NPT	NPT	NPT					
		2SV			GROOVED	GROOVED	BSP					
	3"	2SW			GROOVED	BSP	GROOVED	735 mm 28.9 in	336 mm 13.2 in	147 mm 5.8 in	8.9 kg 19.8 lb	19.4 kg 42.6 lb
		3NR			BSP	BSP	BSP					
		3NA	30 m ³ /h 132 gpm		NPT	NPT	NPT					
4" SUPER	3NV		GROOVED	GROOVED	BSP	1200 mm 47.2 in	340 mm 13.4 in	-	16.2 kg 35.7 lb	35.1 kg 77.3 lb		
	3NW		GROOVED	BSP	GROOVED							

¾" BSP E connection • ¼" BSP M connection

*Maximum flowrate is limited by the size and type of the auxiliary elements (manifold, flanges and valves).

Filtersafe Australia & New Zealand

56 Secker Road Mount Barker, South Australia 5251

Phone: +61 8 83983763 | Email: fsaustralia@filtersafe.net