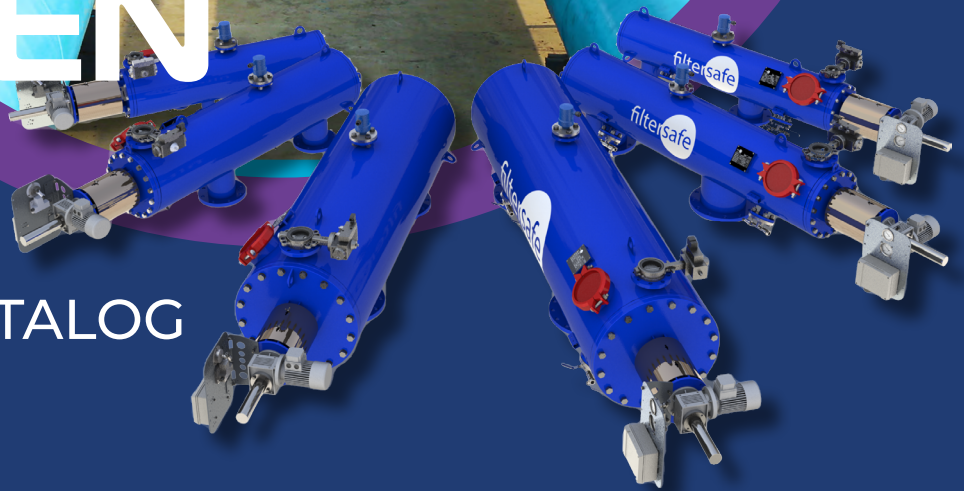




SINGLE SCREEN SERIES

INDUSTRIAL CATALOG



Up to **1,000 m³/h**
High Flow Rate

1.6 bar
Min. Operating Pressure

10-100 µm
Filtration Degree

2,500-20,000 cm²
Screen Area

10 bar
Max. Operating Pressure

Max. Operating Temp
50°C

ENGINEERED FILTRATION.

Filtersafe



ENGINEERED FILTRATION

With over three decades of experience in automatic water filtration, Filtersafe filters are equipped not only with state-of-the-art patented technology, but also the know-how to successfully integrate our solutions in Industrial and Agricultural water applications.

Filtersafe filters can deal with the most challenging filtration situations. That's why we are one of the top global filtration manufacturers worldwide.

- o High-End Agriculture Sector
- o Aquaculture Sector
- o Industrial Filtration
- o Municipal Water Treatment
- o Other Industrial Needs



High-End Agricultural Project



Skid Packages

Reliable Filtration Down to 10 µm

With flow rates from 50-1,000 m³/h in a single unit and unlimited potential for various configurations.

Filtersafe brings you unrivaled value, effectiveness and durability. Our filters effectively remove high volumes of TSS and organic matter, including macro-fouling. We are able to manufacture filtration systems in skid format, and can also supply with stand-by functionality for:

- o Seawater Injection & Produced Water Course Filtration
- o Intake Water Filtration
- o Treated Effluent Polishing
- o Cooling Water Circulation
- o Protection of Cartridge Filters, Membranes, & Disinfection Units
- o General Purpose Industrial Process & Protection Filters



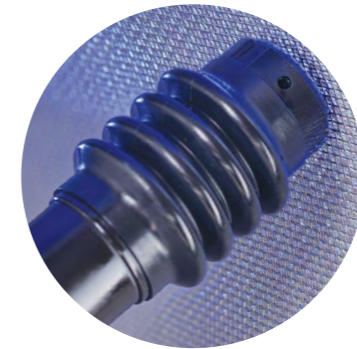
Pre-Treatment Project

OUR TECHNOLOGY

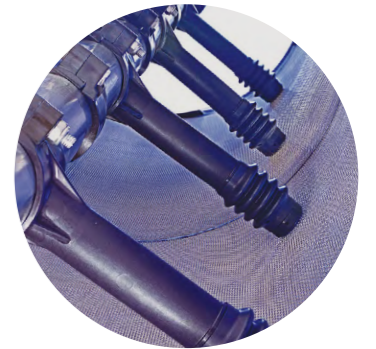
Our automatic screen filters utilize our unique, market-proven, and cutting edge patented technologies **smartweave™** filter screens and **nozzleX®** proximity suction nozzles ensuring the high performance demands of the market are met.



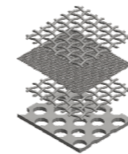
+



=



smartweave™



High performance filtration screens:

1. Multi-layered sintered structure
2. Enhanced strength & durability
3. Available in 316L, 904L, SMO254

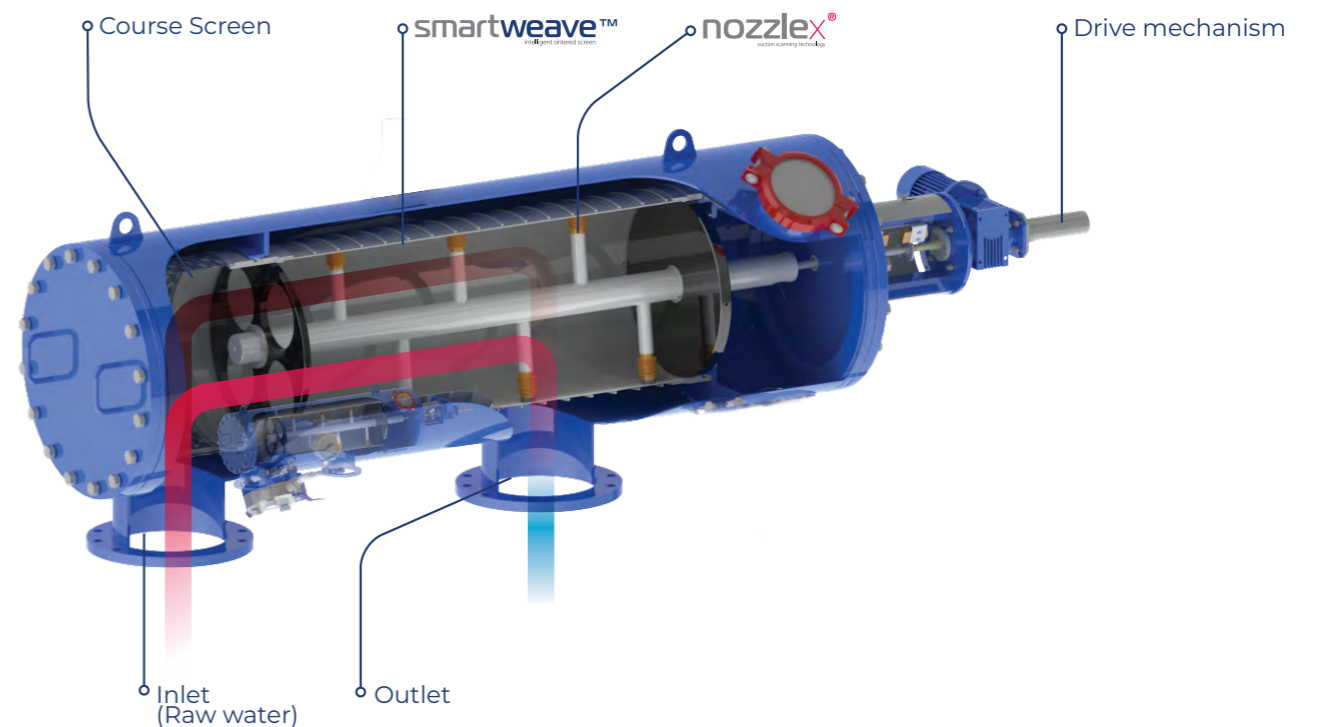
nozzleX®

Self-cleaning cycle for maximum removal efficiency:

1. Self balancing cleaning nozzle
2. High Efficiency clean
3. Zero screen wear + reduced nozzle wear
4. Low pressure operation

EVERCLEAR™

An unparalleled automatic filtration cycle.



SINGLE SCREEN SERIES

Technical Specifications

1 | GENERAL DATA

Model Name Catalog number	FS-025 H #FS0025	FS-050 H #FS0050	FS-070 H #FS0070	FS-100 H #FS0100	FS-150 H #FS0150	FS-200 H/V #FS0200	
Screen Area	2,500 cm ²	5,000 cm ²	7,000 cm ²	10,000 cm ²	15,000 cm ²	20,000 cm ²	
Screen Type	FS smartweave 4-layer Sintered Weaved Screen						
	@ 100 µm	125 m ³ /hr	250 m ³ /hr	350 m ³ /hr	500 m ³ /hr	500 m ³ /hr	1,000 m ³ /hr
Maximum Flow Rate	@ 40 µm	75	140	200	300	450	600
	@ 25 µm	35	85	120	165	250	335
	@ 10 µm	16	32	45	70	105	140
Inlet/Outlet Dia.	2" - 4" DN50 - 100	3" - 6" DN75 - 150	6" - 8" DN150 - 200	6" - 8" DN150 - 200	8" - 12" DN200 - 250	8" - 12" DN200 - 250	
Flush Outlet Diameter	2" DN 50	2" DN 50	2" DN 50	3" DN 75	3" DN 75	3" DN 75	
Design Pressure	10 bar; 145 psi						
Design Approvals	10 & 16 bar						
Design Code	BV, LR, DNV-GL, ABS, CCS (*others available upon request)						
Minimum Working Pressure	1.6 Bar @ 80µm / 2.0 Bar @40µm / 2.5 Bar @ 25µm / 2.5 Bar @ 10µm						
Weight (Dry) kg	190	210	320	350	610	680	
Weight (Wet) kg	290	340	520	600	1,170	1,370	

2 | FLUSHING DATA

Design ΔP Setpoint	0.4 bar					
Typ. Flush Flow @ 40 µm	7 m ³ /hr	15 m ³ /hr	15 m ³ /hr	22 m ³ /hr	22 m ³ /hr	30 m ³ /hr
Flush Cycle Duration	28 sec.	28 sec.	34 sec.	34 sec.	45 sec.	45 sec.
Flush Volume per Cycle	58 ltr.	116 ltr.	141 ltr.	207 ltr.	274 ltr.	345 ltr.

3 | CONTROL & ELECTRICITY

ΔP Transmitter	Analog *Digital upon request					
Electric Motor	0.18 kW					
Control Voltage	24 DC (pneumatic available upon request)					
Rated Operation Voltage	200÷480V, 3Ph@50/60Hz					
PLC Controller	Unitronics IP55					

SINGLE SCREEN SERIES

Technical Specifications

4 | FS SERIES SPECIFIC DATA

Model Name Catalog number	FS-025 H #FS0025	FS-050 H #FS0050	FS-070 H #FS0070	FS-100 H #FS0100	FS-150 H #FS0150	FS-200 H/V #FS0200
Design Flush Cycles per Annum	50,000					
Design Temperature	4 - 50°C					
Pressure Vessel Housing & Lid	Carbon Steel / Stainless Steel					
Pressure Vessel Coating	Wet Paint / Epoxy 2K + Polyurethane					
Screen Type	Sintered 316L / 904L / SMO254					
Cleaning Mechanism	316L / SMO254 / POM					
Flush Valve	Marine Bronze / NR					
Seals	NBR/Viton					
Internals	SS316/POM/PPH					

5 | ADDITIONAL UPGRADES READILY AVAILABLE

Safe Zone, EXia, Exd

turbo, superturbo, David Arm

Additional Equipment & Materials available upon consultation with Filtersafe representative.

* B = Basic, T = **turbo**, ST = **superturbo**

6 | FLOW & FLUSHING RATE

Model Name H=Horizontal V=Vertical T=Turbo ST=Super Turbo	In/Out Connections		*50 µm Screen Max. Flow rates ¹		*50 µm Flushing Flow rate		*40 µm Screen Max. Flow rates ¹		*40 µm Flushing Flow rate		*25 µm Screen Max. Flow rates ²		*25 µm Flushing Flow rate		*10 µm Flushing Flow rate	
	Inch	mm	USgpm	m ³ /hr	m ³ /hr	USgpm	m ³ /hr	m ³ /hr	USgpm	m ³ /hr	m ³ /hr	USgpm	m ³ /hr	m ³ /hr	USgpm	m ³ /hr
FS-025 H/V	2-4	50-100	251	65	4.4	219	50	4.4	153	35	4	*				
FS-050 H/V	3-6	80-150	630	160	8.8	548	125	8.8	372	85	8	*				
FS-070 H/V	6-8	150-200	906	230	8.8	788	180	8.8	526	120	8	*				
FS-100 H/V	6-8	150-200	1,402	320	13.2	1,095	250	13.2	657	150	12	*				
FS-150 H/V	8-10	200-250	2,102	480	13	1,643	375	13.2	1,095	250	12	*				
FS-200 H/V	8-14	200-300	2,803	640	18	2,190	500	17.6	1,467	335	16	*				
turbo Single Screen Filters																
FS-100 H/V-T	8-10	200-250	1,649	376	22	1,250	275	22	810	185	20	*				
FS-150 H/V-T	8-10	200-300	2,473	565	22	1,796	410	22	1,205	275	20	*				
FS-200 H/V-T	10-15	250-350	3,298	753	26	2,409	550	26.4	1,621	370	40	*				

1 Min. INLET pressure of 1.6 bar WITH flushing pump or 2.0 bar WITHOUT flushing pump (During flushing)

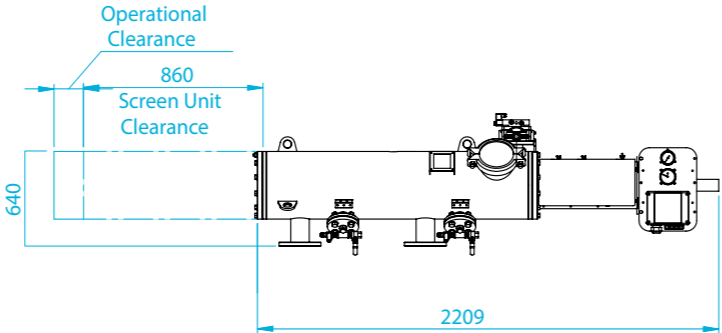
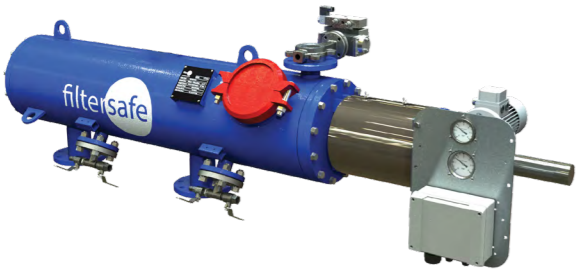
2 Min. INLET pressure of 2.0 bar WITH flushing pump or 2.5 bar WITHOUT flushing pump (During flushing)

* Contact Filtersafe for more information.

SINGLE SCREEN SERIES

Configurations, Drawings and Service Space

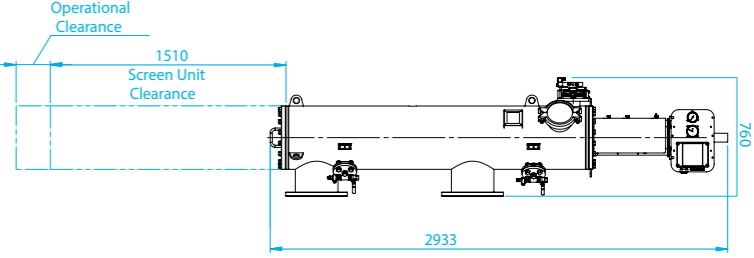
FS-025 H #FS0025
turbo™ add-on available



Horizontal Configuration

Dimensions Drawings, including Service Space

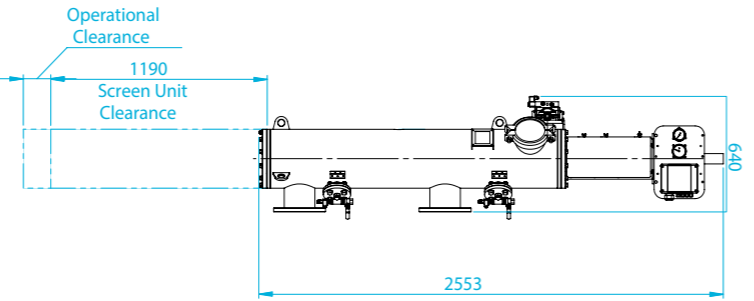
FS-100 H #FS0100
turbo™ superturbo™ add-on available



Horizontal Configuration

Dimensions Drawings, including Service Space

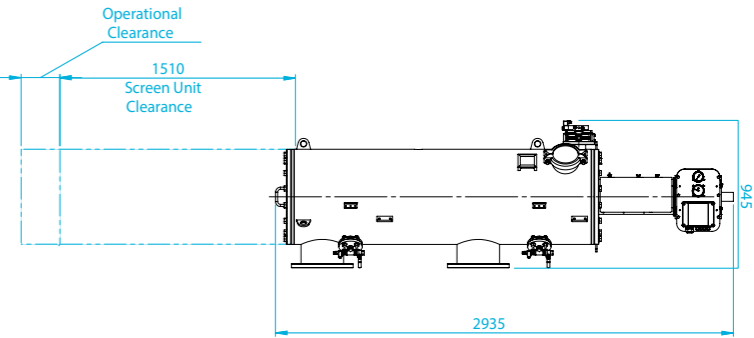
FS-050 H #FS0050
turbo™ add-on available



Horizontal Configuration

Dimensions Drawings, including Service Space

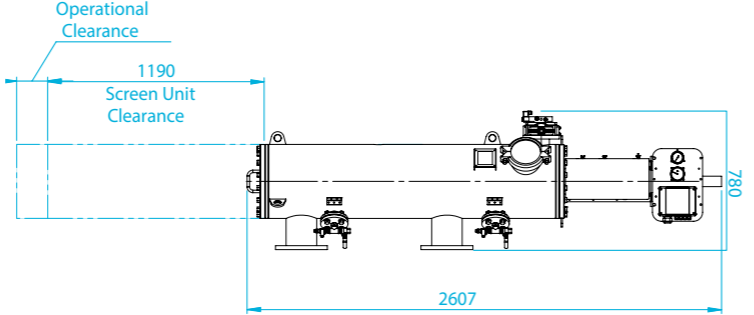
FS-150 H #FS0050
turbo™ superturbo™ add-on available



Horizontal Configuration

Dimensions Drawings, including Service Space

FS-070 H #FS0070
turbo™ add-on available



Horizontal Configuration

Dimensions Drawings, including Service Space

USER NOTES

A large grid of graph paper for user notes, consisting of a 20x20 grid of squares. Each square is further divided into a 5x5 sub-grid of smaller squares, creating a fine grid pattern. The grid is light blue and occupies the majority of the page area.



● OUR HEADQUARTERS

Our flagship factory. The 4,000 m² building contains our regional sales offices, R&D facilities and manufacturing and assembly plant. The facility is capable of handling very large volumes of production with an incredibly fast lead time.

sales@filtersafe.net

ASIA

- **SINGAPORE**
fssingapore@filtersafe.net

THE AMERICAS

- **BRAZIL, Rio de Janeiro**
fsbrazil@filtersafe.net
- **CHILE & PERU**
fschile@filtersafe.net

EUROPE

- **RUSSIA, EASTERN EUROPE & CIS COUNTRIES**
fsrussia@filtersafe.net

OCEANIA

- **AUSTRALIA & NEW ZEALAND**
Regional Office & Distribution Center
fsaustralia@filtersafe.net



- Filtersafe Offices
- Filtersafe Manufacturing Facilities



www.filtersafe.net



Filtersafe reserves the right to change any of the information presented in this document without prior notice.

The data presented in this document is for general information only and cannot be used for quotation purposes. Please contact Filtersafe for specific quote.